

# **AW-CM467D**

## **IEEE 802.11 a/b/g/n/ac and Bluetooth 5.0 Module**

### **Datasheet**

**Rev. A**

**DF**

**(For Standard)**

## Features

### Wi-Fi

- Dual band 802.11 a/b/g/n/ac/d/r/w/e/h/i/k
- Single-stream spatial multiplexing up to 433.3 Mbps
- Supports 20, 40, and 80 MHz channels with optional SGI (256 QAM modulation).
- Security: WEP, WPA/WPA2 (personal), AES (HW), TKIP (HW), CKIP (software support)

### Bluetooth

- Qualified for Bluetooth Core Specification 5.0 with all Bluetooth 4.2 optional features
- Supports extended synchronous connections (eSCO), for enhanced voice quality by allowing for retransmission of dropped packets.
- Adaptive Frequency Hopping (AFH) for reducing radio frequency interference
- Supports multiple simultaneous Advanced Audio Distribution Profiles (A2DP) for stereo sound.



## Table of Contents

<b>Features</b> .....	<b>2</b>
<b>Revision History</b> .....	<b>3</b>
<b>Table of Contents</b> .....	<b>4</b>
<b>1. Introduction</b> .....	<b>5</b>
<b>1.1 Product Overview</b> .....	<b>5</b>
<b>1.2 Block Diagram</b> .....	<b>6</b>
<b>1.3 Specifications Table</b> .....	<b>7</b>
1.3.1 General .....	7
1.3.2 WLAN .....	7
1.3.3 Bluetooth.....	9
1.3.4 Operating Conditions.....	10
<b>2. Pin Definition</b> .....	<b>11</b>
<b>2.1 Pin Map</b> .....	<b>11</b>
<b>2.2 Pin Table</b> .....	<b>12</b>
<b>3. Electrical Characteristics</b> .....	<b>14</b>
<b>3.1 Absolute Maximum Ratings</b> .....	<b>14</b>
<b>3.2 Recommended Operating Conditions</b> .....	<b>14</b>
<b>3.3 Digital IO Pin DC Characteristics</b> .....	<b>15</b>
<b>3.4 Host Interface</b> .....	<b>16</b>
3.4.1 SDIO Interface .....	16
3.4.2 UART Interface .....	18
3.4.2 WLAN/BT USB Timing .....	20
<b>3.5 Power up Timing Sequence</b> .....	<b>21</b>
<b>3.6 Power Consumption*</b> .....	<b>24</b>
3.6.1 WLAN .....	24
3.6.2 Bluetooth.....	24
<b>4. Mechanical Information</b> .....	<b>25</b>
<b>4.1 Mechanical Drawing</b> .....	<b>25</b>
<b>5. Packaging Information</b> .....	<b>26</b>

## 1. Introduction

### 1.1 Product Overview

The Cypress AW-CM467D device provides the highest level of integration for embedded and IoT wireless systems with integrated single-stream IEEE 802.11a/b/g/n/ac, MAC/baseband/radio and Bluetooth 5.0 (Basic Rate, Enhanced Data Rate and Bluetooth Low Energy).

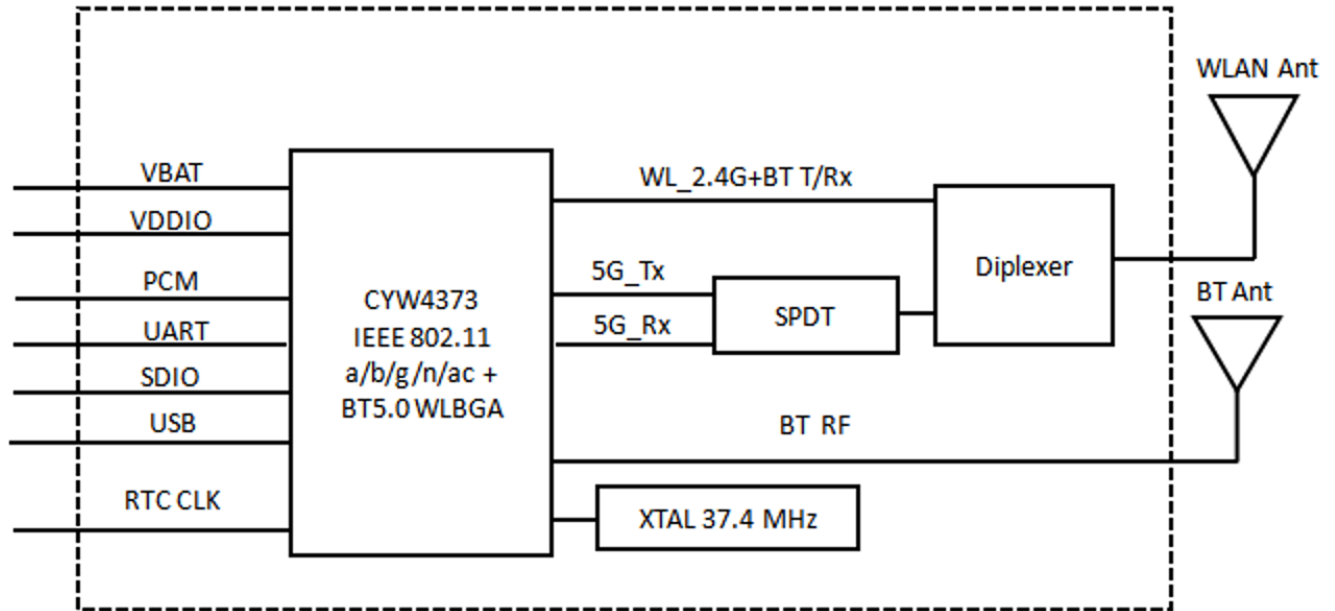
AW-CM467D supports all rates specified in the IEEE 802.11 a/b/g/n/ac specifications. IEEE 802.11ac's 256-QAM is supported for MCS8 in 20 MHz channels and MCS8/MCS9 in 40 MHz & 80 MHz channels to enable data rates of up to 433.3 Mbps. Included on-chip are 2.4 GHz and 5 GHz power amplifiers and low-noise amplifiers.

The WLAN section supports the following host interface options: an SDIO v3.0 interface that can operate in 4b or 1b mode and a USB 2.0 interface. The Bluetooth section supports USB 2.0, USB 1.1, SDIO and a high-speed 4-wire UART interface. An on-chip USB 2.0 hub provides a shared single USB connection to both WLAN and Bluetooth target devices.

Using advanced design techniques and process technology to reduce active and idle power, the AW-CM467D is designed to address the need of mobile devices that require minimal power consumption and compact size. It includes a power management unit (PMU) which simplifies the system power topology and allows for direct operation from a mobile platform battery while maximizing battery life.

The AW-CM467D implements highly sophisticated enhanced collaborative coexistence hardware mechanisms and algorithms, which ensure that WLAN and Bluetooth collaboration is optimized for maximum performance. As a result, enhanced overall quality for simultaneous voice, video, and data transmission on an embedded and IoT system is achieved.

## 1.2 Block Diagram



AW-CM467D BLOCK DIAGRAM

## 1.3 Specifications Table

### 1.3.1 General

Features	Description
Product Description	IEEE 802.11 a/b/g/n/ac Wireless LAN and Bluetooth Module
Major Chipset	Cypress CYW4373
Host Interface	Wi Fi : SDIO,USB Bluetooth : UART,USB
Dimension	14mm(L) x 13mm(W) x 2mm(H)
Package	LGA
Antenna	1 antenna to support 1(Transmit) x 1(Receive) WLAN 1 antenna to support Bluetooth
Weight	TBD

### 1.3.2 WLAN

Features	Description
WLAN Standard	IEEE 802.11a/b/g/n/ac
WLAN VID/PID	N/A
WLAN SVID/SPID	N/A
Frequency Range	WLAN: 2.4 GHz / 5GHz Band
Modulation	DSSS DBPSK(1Mbps), DQPSK(2Mbps), CCK(11/5.5Mbps) OFDM BPSK(9/6Mbps/MCS0), QPSK(18/12Mbps/MCS1~2), 16-QAM(36/24Mbps/MCS3~4), 64-QAM(72.2/54/48Mbps/MCS5~7), 256-QAM(MCS8~9)
Number of Channels	802.11b: USA, Canada and Taiwan – 1 ~ 11 Most European Countries – 1 ~ 13 Japan – 1 ~ 13 802.11g: USA and Canada – 1 ~ 11 Most European Countries – 1 ~ 13

	802.11n: USA and Canada – 1 ~ 11 Most European Countries – 1 ~ 13 802.11a: USA – 36, 40, 44, 48, 52, 56, 60, 64, 100, 104, 108, 112, 116, 120, 124, 128, 132, 136, 140, 149, 153, 157, 161, 165																																			
Output Power	<b>2.4G</b> <table border="1"> <thead> <tr> <th></th> <th>Min</th> <th>Typ</th> <th>Max</th> <th>Unit</th> </tr> </thead> <tbody> <tr> <td>11b (11Mbps) @EVM&lt;35%</td> <td>15</td> <td>17</td> <td>19</td> <td>dBm</td> </tr> <tr> <td>11g (54Mbps) @EVM ≤ -25 dB</td> <td>14</td> <td>16</td> <td>18</td> <td>dBm</td> </tr> <tr> <td>11n (HT20 MCS7) @EVM ≤ -27 dB</td> <td>13</td> <td>15</td> <td>17</td> <td>dBm</td> </tr> <tr> <td>11n (HT40 MCS7) @EVM ≤ -27 dB</td> <td>11</td> <td>13</td> <td>15</td> <td>dBm</td> </tr> </tbody> </table>		Min	Typ	Max	Unit	11b (11Mbps) @EVM<35%	15	17	19	dBm	11g (54Mbps) @EVM ≤ -25 dB	14	16	18	dBm	11n (HT20 MCS7) @EVM ≤ -27 dB	13	15	17	dBm	11n (HT40 MCS7) @EVM ≤ -27 dB	11	13	15	dBm										
		Min	Typ	Max	Unit																															
	11b (11Mbps) @EVM<35%	15	17	19	dBm																															
	11g (54Mbps) @EVM ≤ -25 dB	14	16	18	dBm																															
	11n (HT20 MCS7) @EVM ≤ -27 dB	13	15	17	dBm																															
	11n (HT40 MCS7) @EVM ≤ -27 dB	11	13	15	dBm																															
	<b>5G</b> <table border="1"> <thead> <tr> <th></th> <th>Min</th> <th>Typ</th> <th>Max</th> <th>Unit</th> </tr> </thead> <tbody> <tr> <td>11a (54Mbps) @EVM ≤ -25 dB</td> <td>13</td> <td>15</td> <td>17</td> <td>dBm</td> </tr> <tr> <td>11n (HT20 MCS7) @EVM ≤ -27 dB</td> <td>12</td> <td>14</td> <td>16</td> <td>dBm</td> </tr> <tr> <td>11n (HT40 MCS7) @EVM ≤ -27 dB</td> <td>10</td> <td>12</td> <td>14</td> <td>dBm</td> </tr> <tr> <td>11ac (VHT20 MCS8) @EVM ≤ -30 dB</td> <td>9</td> <td>11</td> <td>13</td> <td>dBm</td> </tr> <tr> <td>11ac (VHT40 MCS9) @EVM ≤ -32 dB</td> <td>7</td> <td>9</td> <td>11</td> <td>dBm</td> </tr> <tr> <td>11ac (VHT80 MCS9) @EVM ≤ -32 dB</td> <td>6</td> <td>8</td> <td>10</td> <td>dBm</td> </tr> </tbody> </table>		Min	Typ	Max	Unit	11a (54Mbps) @EVM ≤ -25 dB	13	15	17	dBm	11n (HT20 MCS7) @EVM ≤ -27 dB	12	14	16	dBm	11n (HT40 MCS7) @EVM ≤ -27 dB	10	12	14	dBm	11ac (VHT20 MCS8) @EVM ≤ -30 dB	9	11	13	dBm	11ac (VHT40 MCS9) @EVM ≤ -32 dB	7	9	11	dBm	11ac (VHT80 MCS9) @EVM ≤ -32 dB	6	8	10	dBm
		Min	Typ	Max	Unit																															
	11a (54Mbps) @EVM ≤ -25 dB	13	15	17	dBm																															
	11n (HT20 MCS7) @EVM ≤ -27 dB	12	14	16	dBm																															
	11n (HT40 MCS7) @EVM ≤ -27 dB	10	12	14	dBm																															
	11ac (VHT20 MCS8) @EVM ≤ -30 dB	9	11	13	dBm																															
	11ac (VHT40 MCS9) @EVM ≤ -32 dB	7	9	11	dBm																															
	11ac (VHT80 MCS9) @EVM ≤ -32 dB	6	8	10	dBm																															
Receiver Sensitivity	<b>2.4G</b> <table border="1"> <thead> <tr> <th></th> <th>Min</th> <th>Typ</th> <th>Max</th> <th>Unit</th> </tr> </thead> <tbody> <tr> <td>11b (11Mbps)</td> <td></td> <td>-88</td> <td>-85</td> <td>dBm</td> </tr> <tr> <td>11g (54Mbps)</td> <td></td> <td>-76</td> <td>-73</td> <td>dBm</td> </tr> <tr> <td>11n (HT20 MCS7)</td> <td></td> <td>-74</td> <td>-71</td> <td>dBm</td> </tr> <tr> <td>11n (HT40 MCS7)</td> <td></td> <td>-72</td> <td>-69</td> <td>dBm</td> </tr> </tbody> </table>		Min	Typ	Max	Unit	11b (11Mbps)		-88	-85	dBm	11g (54Mbps)		-76	-73	dBm	11n (HT20 MCS7)		-74	-71	dBm	11n (HT40 MCS7)		-72	-69	dBm										
		Min	Typ	Max	Unit																															
	11b (11Mbps)		-88	-85	dBm																															
	11g (54Mbps)		-76	-73	dBm																															
	11n (HT20 MCS7)		-74	-71	dBm																															
	11n (HT40 MCS7)		-72	-69	dBm																															
	<b>5G(n/ac packets with LDPC)</b> <table border="1"> <thead> <tr> <th></th> <th>Min</th> <th>Typ</th> <th>Max</th> <th>Unit</th> </tr> </thead> <tbody> <tr> <td>11a (54Mbps)</td> <td></td> <td>-73</td> <td>-70</td> <td>dBm</td> </tr> <tr> <td>11n (HT20 MCS7)</td> <td></td> <td>-72</td> <td>-69</td> <td>dBm</td> </tr> <tr> <td>11n (HT40 MCS7)</td> <td></td> <td>-69</td> <td>-66</td> <td>dBm</td> </tr> <tr> <td>11ac (VHT20 MCS8)</td> <td></td> <td>-67</td> <td>-64</td> <td>dBm</td> </tr> </tbody> </table>		Min	Typ	Max	Unit	11a (54Mbps)		-73	-70	dBm	11n (HT20 MCS7)		-72	-69	dBm	11n (HT40 MCS7)		-69	-66	dBm	11ac (VHT20 MCS8)		-67	-64	dBm										
		Min	Typ	Max	Unit																															
	11a (54Mbps)		-73	-70	dBm																															
	11n (HT20 MCS7)		-72	-69	dBm																															
11n (HT40 MCS7)		-69	-66	dBm																																
11ac (VHT20 MCS8)		-67	-64	dBm																																

	11ac (VHT40 MCS9)		-64	-61	dBm
	11ac (VHT80 MCS9)		-60	-57	dBm
Data Rate	802.11b: 1, 2, 5.5, 11Mbps 802.11g: 6, 9, 12, 18, 24, 36, 48, 54Mbps 802.11n: MCS0~7 HT20/HT40 802.11a: 6, 9, 12, 18, 24, 36, 48, 54Mbps 802.11ac: MCS0~8 VHT20 802.11ac: MCS0~9 VHT40/VHT80				
Security	<ul style="list-style-type: none"> <li>● WPA™- and WPA2™- (Personal) support for powerful encryption and authentication</li> <li>● AES and TKIP acceleration hardware for faster data encryption and 802.11i compatibility</li> <li>● Wi-Fi Protected Setup (WPS)</li> <li>● WEP</li> <li>● CKIP(Software)</li> </ul>				

\* If you have any certification questions about output power please contact FAE directly.

### 1.3.3 Bluetooth

Features	Description				
Bluetooth Standard	Bluetooth 2.1+Enhanced Data Rate (EDR)/BT3.0/BT4.2/BT5.0				
Bluetooth VID/PID	N/A				
Frequency Range	2400~2483.5MHz				
Modulation	GFSK (1Mbps), Π/4DQPSK (2Mbps) and 8DPSK (3Mbps)				
Output Power		Min	Typ	Max	Unit
	Basic rate	6	8	10	dBm
Receiver Sensitivity		Min	Typ	Max	Unit
	DH5		-91	-88	dBm
	2DH5		-92	-89	dBm
	3DH5		-86	-83	dBm

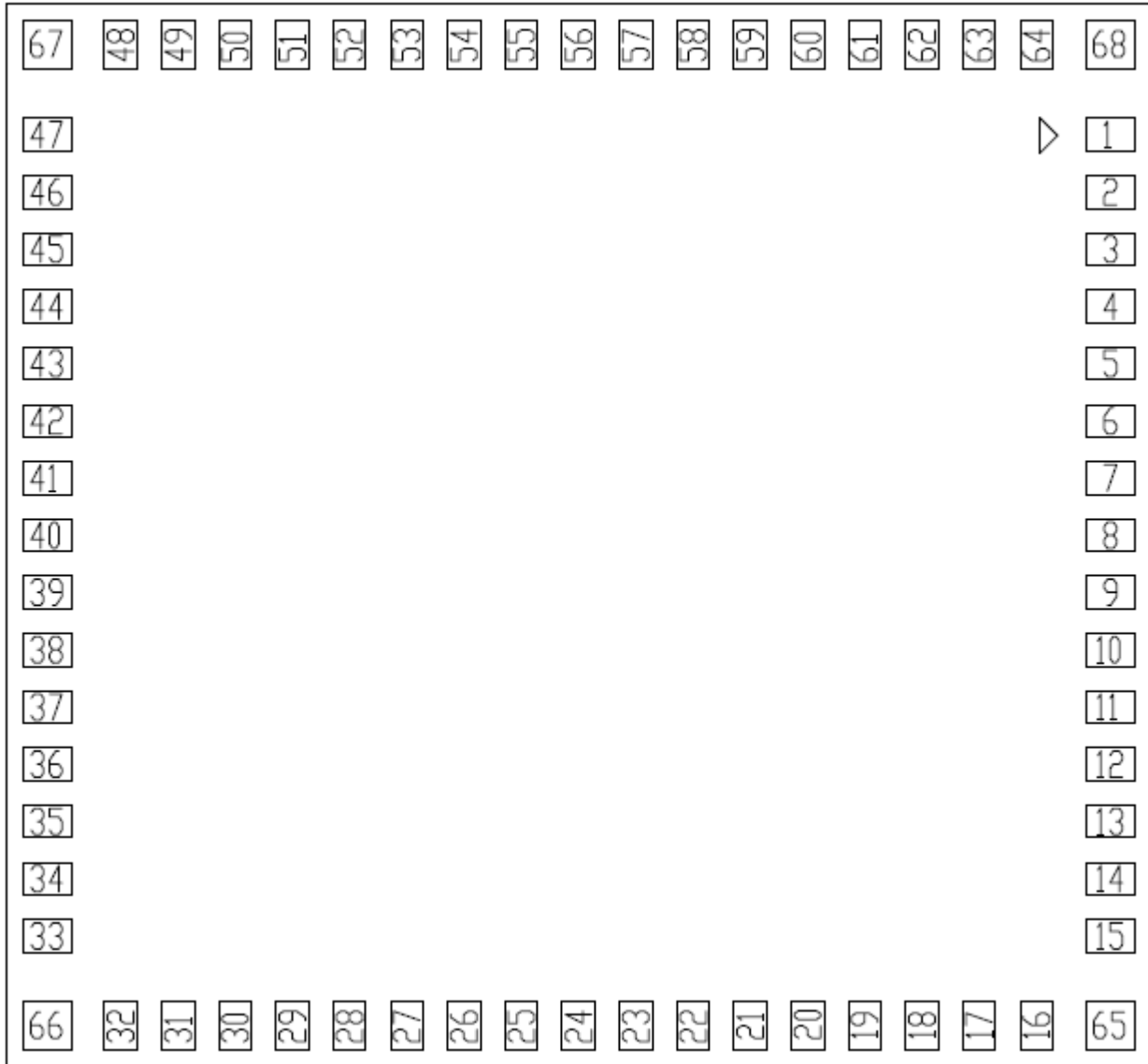
### 1.3.4 Operating Conditions

Features	Description
Operating Conditions	
Voltage	3.6 V– 4.8 V
Operating Temperature	TBD
Operating Humidity	less than 85% R.H.
Storage Temperature	-40~85°C
Storage Humidity	less than 60% R.H.
ESD Protection	
Human Body Model	TBD
Charged Device Model	TBD

## 2. Pin Definition

### 2.1 Pin Map

**AW-CM467D Bottom View Pin Map**



## 2.2 Pin Table

Pin No	Definition	Basic Description	Voltage	Type
1	GND	Ground		GND
2	WL_REG_ON	Used by PMU to power-up or power down the internal CYW4373 regulators used by the WLAN section. Also, when deasserted, this pin holds the WLAN section in reset. This pin has an internal 200 kΩ pull-down resistor that is enabled by default. It can be disabled through programming.	VDDIO	I
3	GND	Ground		GND
4	NC	Floating Pin		Floating
5	USB_DP	Data plus of shared USB2.0 port.	3.3V	I/O
6	USB_DM	Data minus of shared USB2.0 port.	3.3V	I/O
7	NC	Floating Pin		Floating
8	NC	Floating Pin		Floating
9	WL_HOST_WAKE	WL Host Wake	VDDIO	O
10	BT_REG_ON	Used by PMU to power-up or power down the internal CYW4373 regulators used by the Bluetooth section. Also, when deasserted, this pin holds the Bluetooth section in reset. This pin has an internal 200 kΩ pull-down resistor that is enabled by default. It can be disabled through programming.	VDDIO	I
11	BT_PCM_IN	PCM data input.	VDDIO	I
12	LPO	External 32K or RTC clock		I
13	BT_PCM_CLK	PCM clock; can be master (output) or slave (input).	VDDIO	I/O
14	BT_PCM_SYNC	PCM sync; can be master (output) or slave (input), or SLIMbus data.	VDDIO	I/O
15	BT_PCM_OUT	PCM data output.	VDDIO	O
16	BT_DEV_WAKE	Bluetooth DEV_WAKE.	VDDIO	I/O
17	BT_UART_CTS_N	UART clear-to-send. Active-low clear-to-send signal for the HCI UART interface.	VDDIO	I
18	BT_UART_TXD	UART serial output. Serial data output for the HCI UART interface.	VDDIO	O
19	BT_UART_RXD	UART serial input. Serial data input for the HCI UART interface.	VDDIO	I
20	BT_HOST_WAKE	Bluetooth HOST_WAKE.	VDDIO	I/O
21	BT_UART_RTS_N	UART request-to-send. Active-low request-to-send signal for the HCI UART interface.	VDDIO	O
22	NC	Floating Pin		Floating
23	NC	Floating Pin		Floating
24	NC	Floating Pin		Floating
25	NC	Floating Pin		Floating

26	GND	Ground		GND
27	BT_ANT	BT RF TX/RX path.		RF
28	GND	Ground		GND
29	NC	Floating Pin		Floating
30	GND	Ground		GND
31	WL_BT_ANT	WLAN/BT RF TX/RX path		RF
32	GND	Ground		GND
33	NC	Floating Pin		Floating
34	NC	Floating Pin		Floating
35	NC	Floating Pin		Floating
36	GND	Ground		GND
37	NC	Floating Pin		Floating
38	NC	Floating Pin		Floating
39	NC	Floating Pin		Floating
40	NC	Floating Pin		Floating
41	VBAT	Power Pin	3.6~4.8V	VCC
42	NC	Floating Pin		Floating
43	NC	Floating Pin		Floating
44	RF_SW_CTRL5	Programmable RF switch control lines.	3.3V	O
45	GND	Ground		GND
46	NC	Floating Pin		Floating
47	NC	Floating Pin		Floating
48	NC	Floating Pin		Floating
49	NC	Floating Pin		Floating
50	NC	Floating Pin		Floating
51	NC	Floating Pin		Floating
52	GND	Ground		GND
53	VDDIO	VDDIO supply for WLAN and BT	1.8/3.3V	VCC
54	GND	Ground		GND
55	NC	Floating Pin		Floating
56	STRAP_0	SDIO_PADVDDIO sel, XTAL sel in USB mode	VDDIO	I
57	STRAP_2	USB_DISABLE	VDDIO	I
58	GND	Ground		GND
59	SDIO_DATA_1	SDIO data line 1	VDDIO	I/O
60	SDIO_DATA_0	SDIO data line 0	VDDIO	I/O
61	SDIO_DATA_3	SDIO data line 3	VDDIO	I/O
62	SDIO_DATA_2	SDIO data line 2	VDDIO	I/O
63	SDIO_DATA_CMD	SDIO command line	VDDIO	I/O
64	SDIO_DATA_CLK	SDIO clock input	VDDIO	I
65	GND	Ground		GND
66	GND	Ground		GND
67	GND	Ground		GND
68	GND	Ground		GND

### 3. Electrical Characteristics

#### 3.1 Absolute Maximum Ratings

Symbol	Parameter	Minimum	Typical	Maximum	Unit
VBAT	DC supply for the VBAT and PA driver supply	-0.5	-	5.5	V
VDDIO	DC supply voltage for digital I/O	-0.5	-	3.9	V
Tj	Maximum junction temperature	-	-	125	°C

#### 3.2 Recommended Operating Conditions

Symbol	Parameter	Minimum	Typical	Maximum	Unit
VBAT	Power supply for Internal Regulator and FEM	3.2	3.6	4.8	V
VDDIO	DC supply voltage for digital I/O	1.62	1.8/3.3	3.63	V

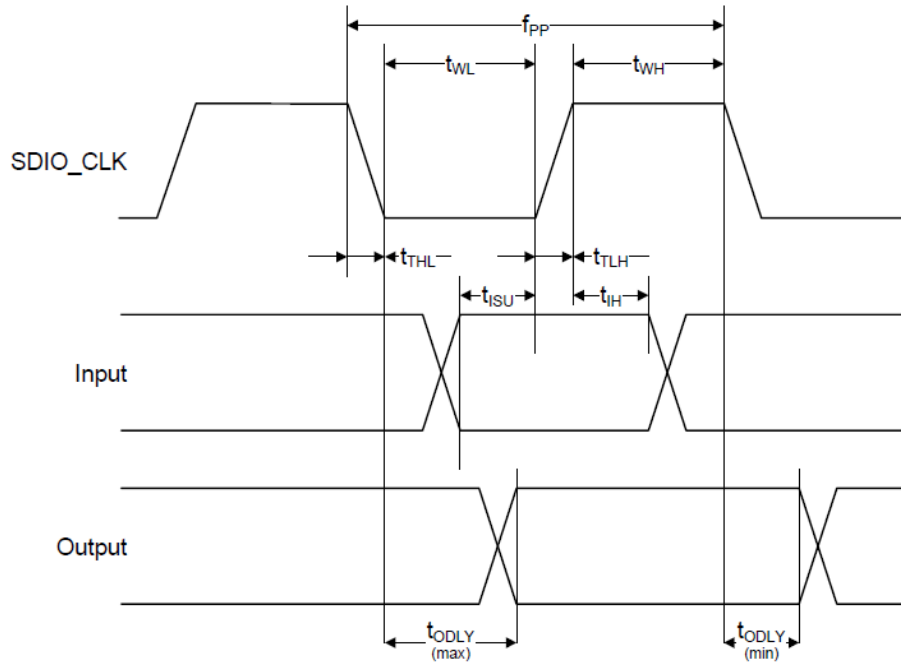
### 3.3 Digital IO Pin DC Characteristics

Symbol	Parameter	Minimum	Typical	Maximum	Unit
Digital I/O pins, VDDIO=1.8V					
V <sub>IH</sub>	Input high voltage	0.65 × VDDIO	-	-	V
V <sub>IL</sub>	Input low voltage	-	-	0.35 × VDDIO	V
V <sub>OH</sub>	Output high voltage	VDDIO – 0.45	-	-	V
V <sub>OL</sub>	Output Low Voltage	-	-	0.45	V
Digital I/O pins, VDDIO=3.3V					
V <sub>IH</sub>	Input high voltage	2.00	-	-	V
V <sub>IL</sub>	Input low voltage	-	-	0.80	V
V <sub>OH</sub>	Output high voltage	VDDIO – 0.4	-	-	V
V <sub>OL</sub>	Output low Voltage	-	-	0.40	V

### 3.4 Host Interface

#### 3.4.1 SDIO Interface

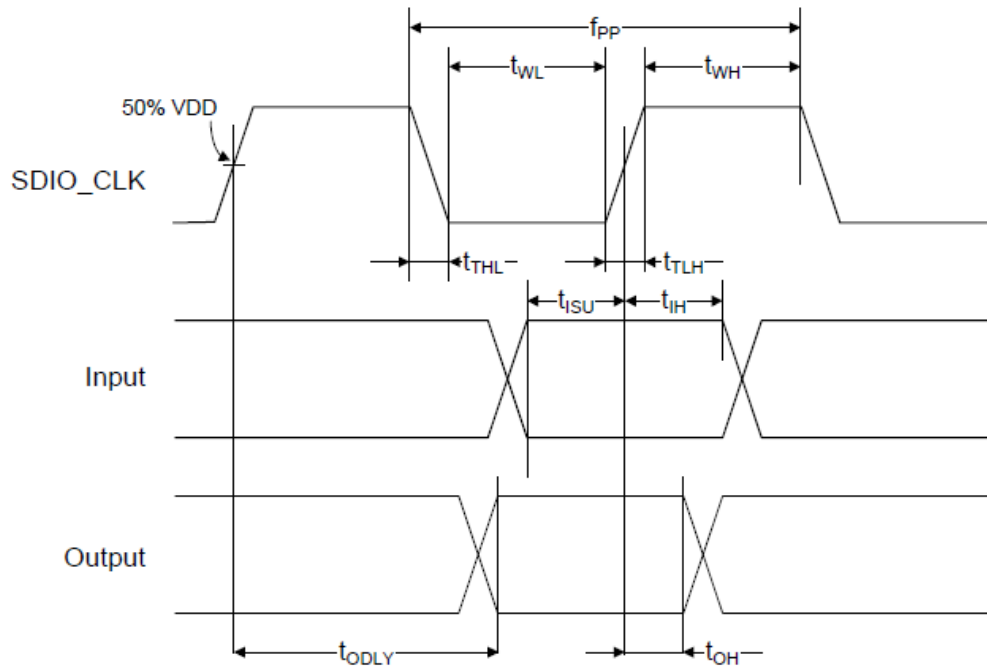
SDIO Bus Timing (Default Mode)



SDIO Bus Timing Parameters (Default Mode)

Parameter	Symbol	Minimum	Typical	Maximum	Unit
SDIO CLK (All values are referred to minimum VIH and maximum VIL)					
Frequency – Data Transfer mode	$f_{PP}$	0	–	25	MHz
Frequency – Identification mode	$f_{OD}$	0	–	400	kHz
Clock low time	$t_{WL}$	10	–	–	ns
Clock high time	$t_{WH}$	10	–	–	ns
Clock rise time	$t_{TLH}$	–	–	10	ns
Clock low time	$t_{THL}$	–	–	10	ns
Inputs: CMD, DAT (referenced to CLK)					
Input setup time	$t_{ISU}$	5	–	–	ns
Input hold time	$t_{IH}$	5	–	–	ns
Outputs: CMD, DAT (referenced to CLK)					
Output delay time – Data Transfer mode	$t_{ODLY}$	0	–	14	ns
Output delay time – Identification mode	$t_{ODLY}$	0	–	50	ns

### SDIO Bus Timing (High-Speed Mode)



### SDIO Bus Timing Parameters (High-Speed Mode)

Parameter	Symbol	Minimum	Typical	Maximum	Unit
SDIO CLK (all values are referred to minimum $V_{IH}$ and maximum $V_{IL}$ <sup>b</sup> )					
Frequency – Data Transfer Mode	$f_{PP}$	0	–	50	MHz
Frequency – Identification Mode	$f_{OD}$	0	–	400	kHz
Clock low time	$t_{WL}$	7	–	–	ns
Clock high time	$t_{WH}$	7	–	–	ns
Clock rise time	$t_{TLH}$	–	–	3	ns
Clock low time	$t_{THL}$	–	–	3	ns
Inputs: CMD, DAT (referenced to CLK)					
Input setup Time	$t_{ISU}$	6	–	–	ns
Input hold Time	$t_{IH}$	2	–	–	ns
Outputs: CMD, DAT (referenced to CLK)					
Output delay time – Data Transfer Mode	$t_{ODLY}$	–	–	14	ns
Output hold time	$t_{OH}$	2.5	–	–	ns
Total system capacitance (each line)	CL	–	–	40	pF

### 3.4.2 UART Interface

The UART is a standard 4-wire interface (RX, TX, RTS, and CTS) with adjustable baud rates from 9600 bps to 4.0 Mbps. The interface features an automatic baud rate detection capability that returns a baud rate selection. Alternatively, the baud rate may be selected through a vendor-specific UART HCI command.

UART has a 1040-byte receive FIFO and a 1040-byte transmit FIFO to support EDR. Access to the FIFOs is conducted through the AHB interface through either DMA or the CPU. The UART supports the Bluetooth UART HCI specification: H4 and a custom Extended H4. The default baud rate is 115.2 Kbaud.

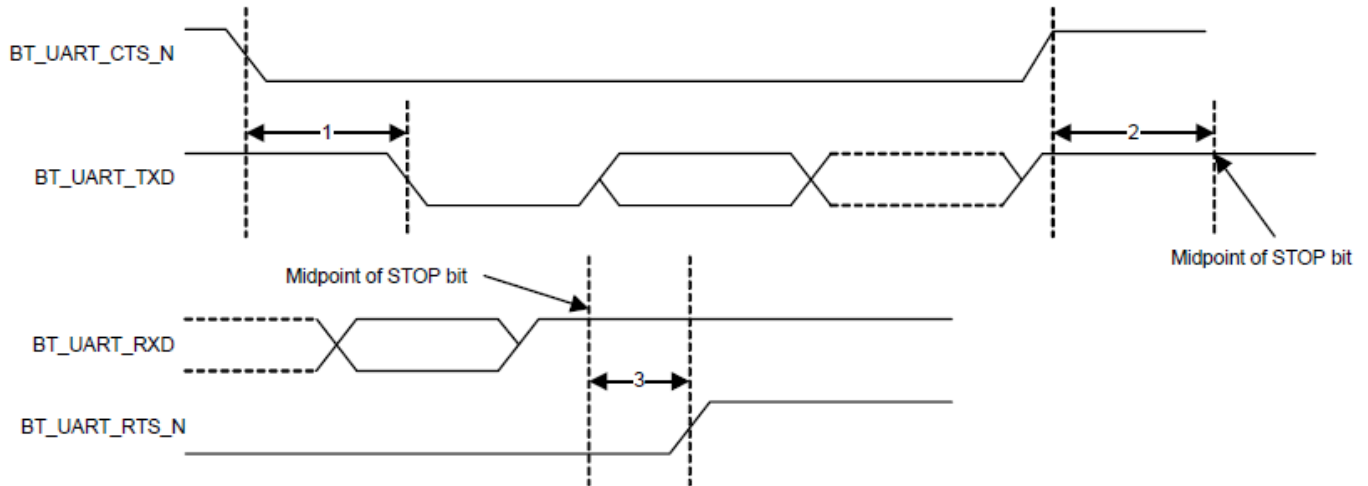
The AW-CM467D UART can perform XON/XOFF flow control and includes hardware support for the Serial Line Input Protocol (SLIP).

It can also perform wake-on activity. For example, activity on the RX or CTS inputs can wake the chip from a sleep state.

Normally, the UART baud rate is set by a configuration record downloaded after device reset, or by automatic baud rate detection, and the host does not need to adjust the baud rate. Support for changing the baud rate during normal HCI UART operation is included through a vendor-specific command that allows the host to adjust the contents of the baud rate registers. The AW-CM467D UARTs operate correctly with the host UART as long as the combined baud rate error of the two devices is within  $\pm 2\%$ .

#### UART Interface Signals

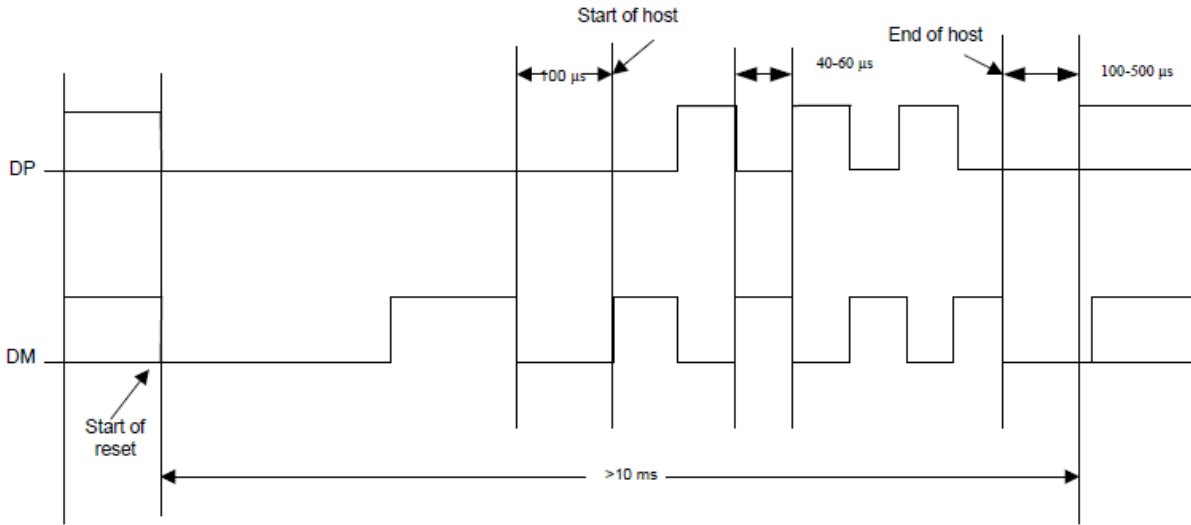
PIN No.	Name	Description	Type
18	BT_UART_TXD	Bluetooth UART Serial Output. Serial data output for the HCI UART Interface	O
19	BT_UART_RXD	Bluetooth UART Series Input. Serial data input for the HCI UART Interface	I
21	BT_UART_RTS_N	Bluetooth UART Request-to-Send. Active-low request-to-send signal for the HCI UART interface	O
17	BT_UART_CTS_N	Bluetooth UART Clear-to-Send. Active-low clear-to-send signal for the HCI UART interface.	I



### UART Timing

	Reference Characteristics	Minimum	Typical	Maximum	Unit
1	Delay time, BT_UART_CTS_N low to BT_UART_TXD valid	-	-	1.5	Bit periods
2	Setup time, BT_UART_CTS_N high before midpoint of stop bit	-	-	0.5	Bit periods
3	Delay time, midpoint of stop bit to BT_UART_RTS_N high	-	-	0.5	Bit periods

### 3.4.2 WLAN/BT USB Timing



Note: The AW-CM467 has a USB2.0-PHY and HS HUB which can enable shared USB2.0 interface between WLAN and BT.

### 3.5 Power up Timing Sequence

The AW-CM467D has three signals that allow the host to control power consumption by enabling or disabling the Bluetooth, WLAN, and internal regulator blocks. These signals are described below. Additionally, diagrams are provided to indicate proper sequencing of the signals for various operational states. The timing values indicated are minimum required values; longer delays are also acceptable.

#### Description of Control Signals

##### ■ WL\_REG\_ON:

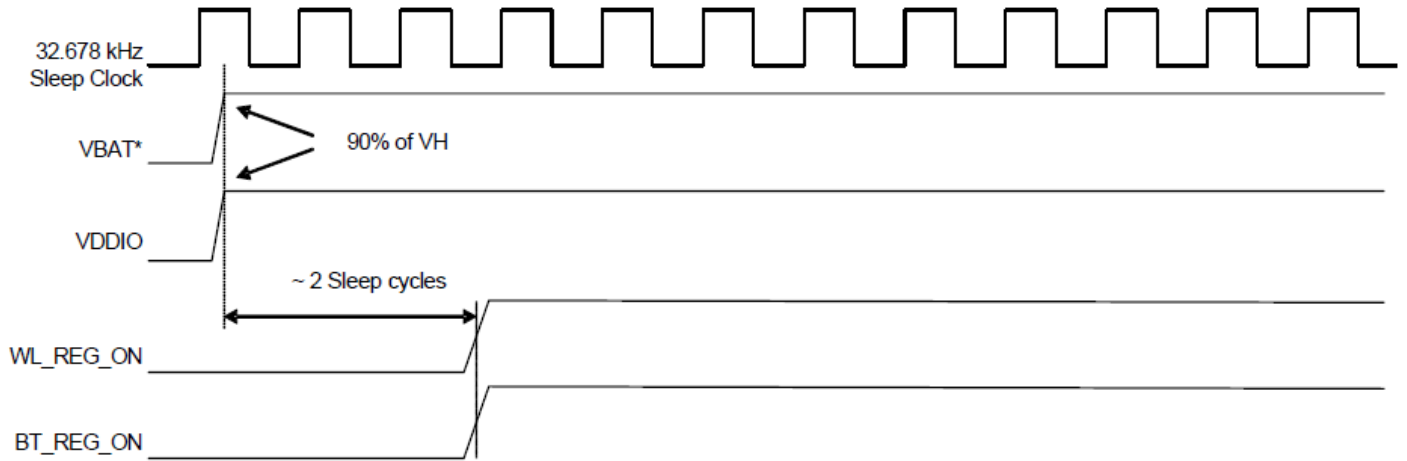
Used by the PMU to power up the WLAN section. It is also OR-gated with the BT\_REG\_ON input to control the internal AW-CM467D regulators. When this pin is high, the regulators are enabled and the WLAN section is out of reset. When this pin is low the WLAN section is in reset. If both the BT\_REG\_ON and WL\_REG\_ON pins are low, the regulators are disabled.

##### ■ BT\_REG\_ON:

Used by the PMU (OR-gated with WL\_REG\_ON) to power up the internal AW-CM467D regulators. If both the BT\_REG\_ON and WL\_REG\_ON pins are low, the regulators are disabled. When this pin is low and WL\_REG\_ON is high, the BT section is in reset.

#### Note:

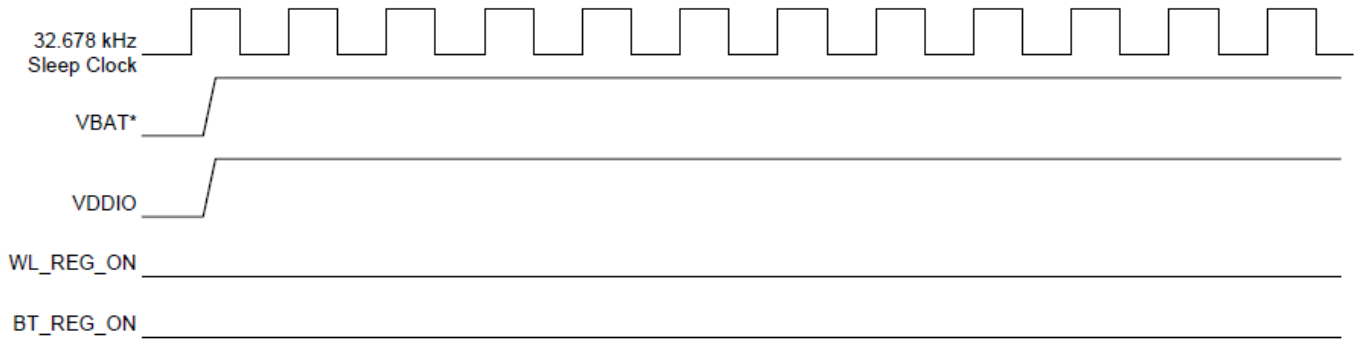
For both the WL\_REG\_ON and BT\_REG\_ON pins, there should be at least a 10 msec time delay between consecutive toggles (where both signals have been driven low). This is to allow time for the CBUCK regulator to discharge. If this delay is not followed, then there may be a VDDIO in-rush current on the order of 36 mA during the next PMU cold start.



**\*Notes:**

1. VBAT should not rise 10%–90% faster than 40 microseconds.
2. VBAT should be up before or at the same time as VDDIO. VDDIO should NOT be present first or be held high before VBAT is high.

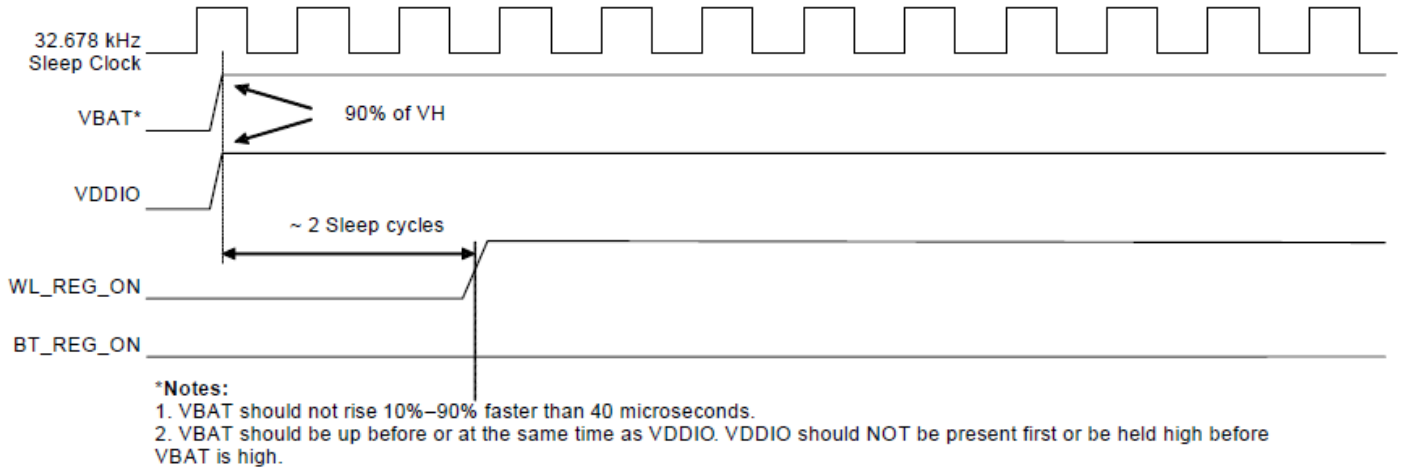
**WLAN = ON, Bluetooth = ON**



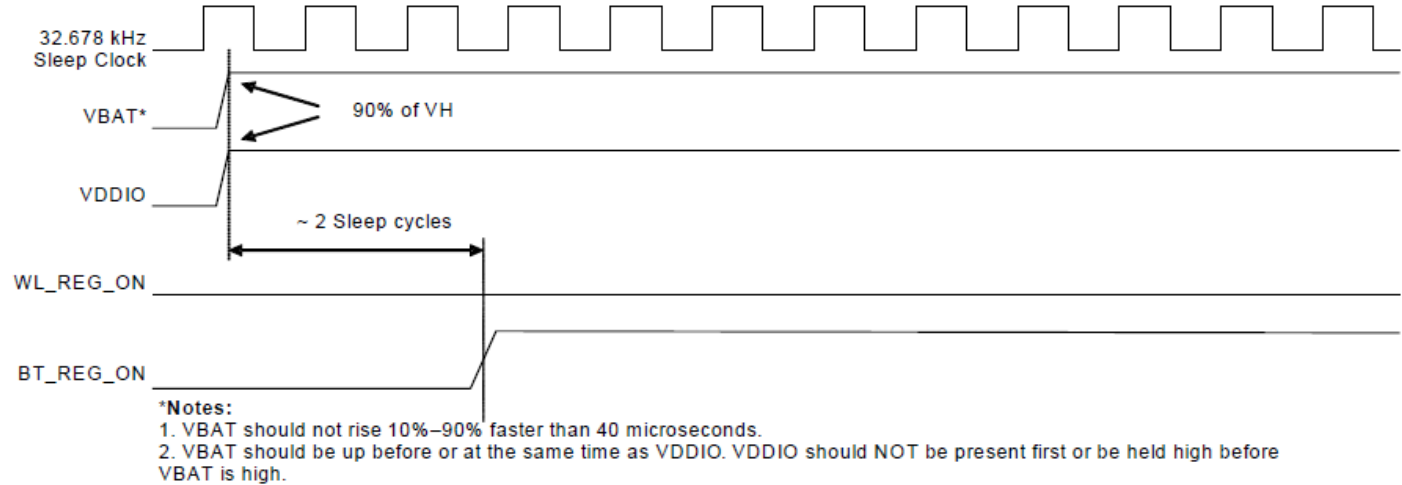
**\*Notes:**

1. VBAT should not rise 10%–90% faster than 40 microseconds.
2. VBAT should be up before or at the same time as VDDIO. VDDIO should NOT be present first or be held high before VBAT is high.

**WLAN = OFF, Bluetooth = OFF**



**WLAN = ON, Bluetooth = OFF**



**WLAN = OFF, Bluetooth = ON**

## 3.6 Power Consumption\*

### 3.6.1 WLAN

TBD

\* The power consumption is based on Azurewave test environment, these data for reference only.

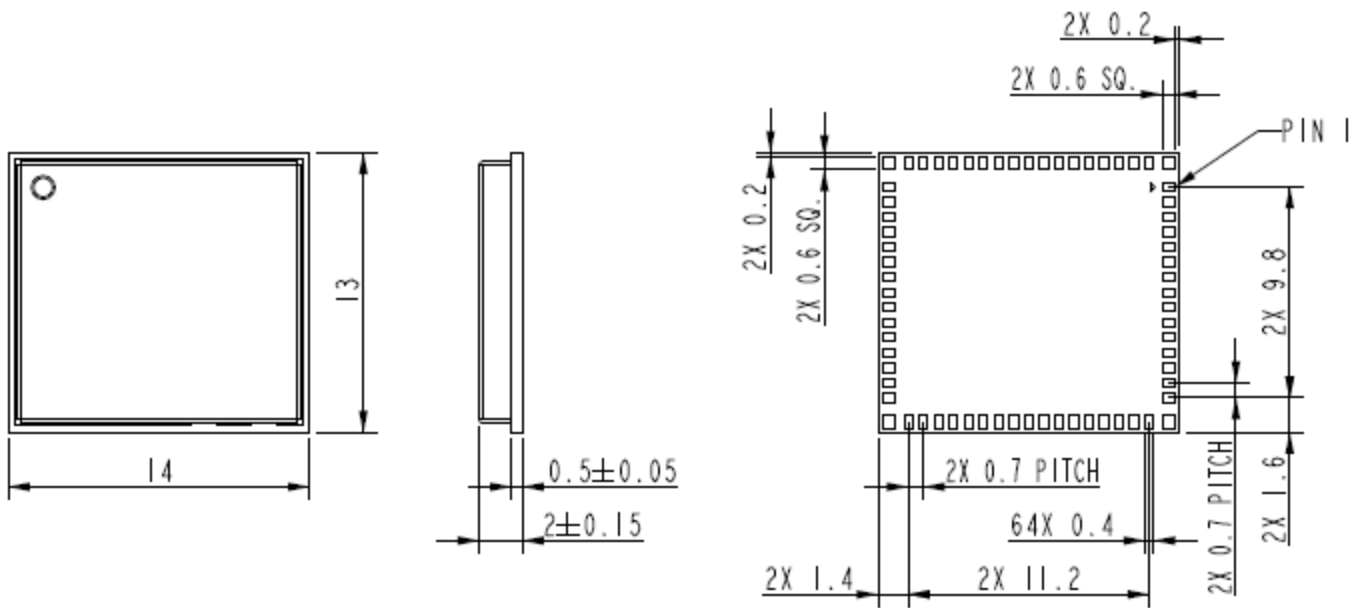
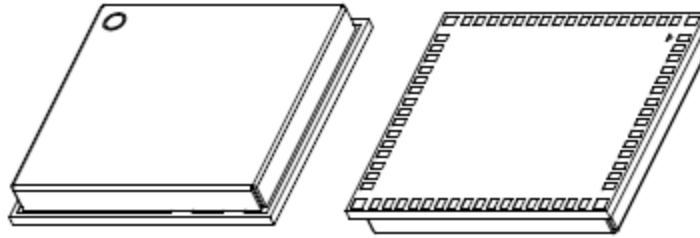
### 3.6.2 Bluetooth

TBD

\* The power consumption is based on Azurewave test environment, these data for reference only.

## 4. Mechanical Information

### 4.1 Mechanical Drawing



TOLERANCES UNLESS OTHERWISE SPECIFIED:  $\pm 0.1$ mm

## 5. Packaging Information

TBD